

SIZING TOOL

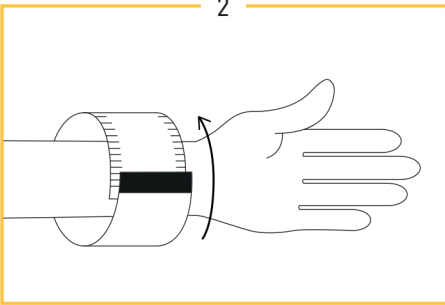
PLEASE MAKE SURE TO PRINT IT AT 100%

1



- Cut out the ruler.

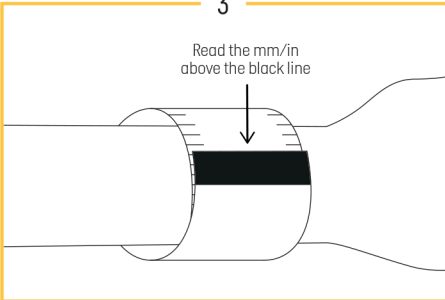
2



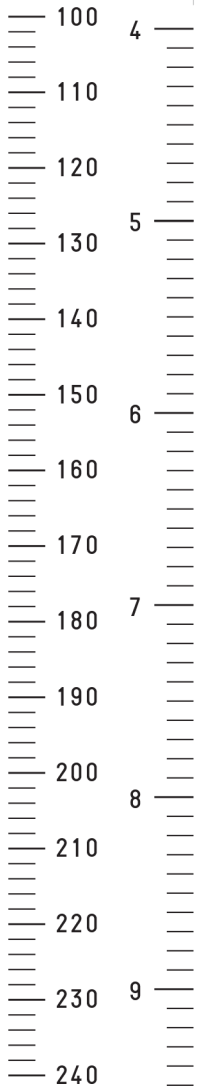
- Open your hand and turn your palm facing up.
- Place the ruler at your wrist bone or 1 cm or 1/2 inch above.
- Snuggly wrap the ruler around your wrist as you would wear your Breitling, loose enough not to bulge your skin.

3

Read the mm/in
above the black line



- Measure the relevant size at the upper edge of the black part.



mm

in